



Insulcap-Live (GLEC) are Heat Shrinkable Caps, used to seal the live cables. The caps are manufactured from high quality cross linked polyolefin material.

Each core is separately sealed using small end caps. Finally a thick wall outer heat shrink cap is applied marked with a live flash symbol.

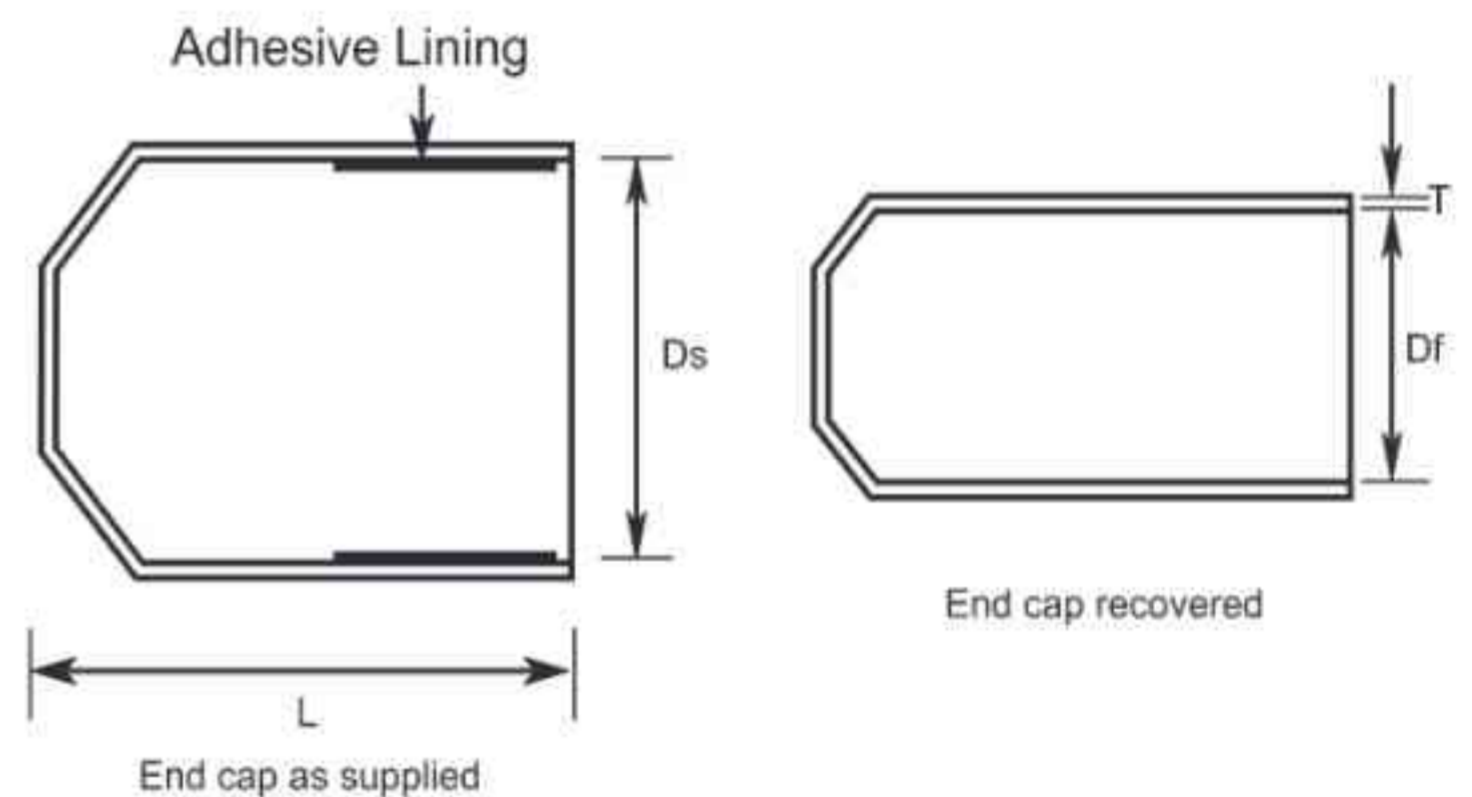
**Selection Chart** All dimensions are in mm

Description	4 x 1.5-6 mm <sup>2</sup>	4 x 4-35 mm <sup>2</sup>	4 x 50-150 mm <sup>2</sup>	4 x 150-300 mm <sup>2</sup>
Outer cap (1 Pc.)	GLEC 101AL	GELC 201 L	GLEC 301 L	GLEC 401 L
Ds (min.)	25	40	55	75
Df (max.)	8	15	25	35
Ls (min.)	75	120	170	180
Tf (10%)	2.5	3.3	3.8	4.0
Inner cap (4 Pcs.)	GLEC 001S	GLEC 001	GLEC 101	GLEC 201
Ds (min.)	6	12	20	40
Df (max.)	2	4	7.5	15
Ls (min.)	25	40	55	90
Tf (10%)	2.0	2.3	2.3	3.3

D : Internal Diameter; s : as supplied; f : after free recovery

**Technical Specification**

PROPERTIES	VALUE	STANDARD
Tensile Strength	12 N/mm <sup>2</sup> (Mpa) (min.)	ASTM D638
Ultimate Elongation	350 % (min)	ASTM D638
Water absorption	0.2 % (max.)	ASTM D570
<b>Accelerated ageing</b>	<b>(120°C for 500 hrs)</b>	<b>ASTM D2671</b>
Tensile Strength	11 N/mm <sup>2</sup> (Mpa) (min.)	ASTM D638
Ultimate Elongation	300 % (min.)	ASTM D638
Heat Shock (250°C for 30 min.)	No cracking or flowing	ESI 09-11
Continuous Temperature Limit	-40 to +100°C	IEC 216
Dielectric Strength	12 KV/mm.(min)	ASTM D149
Volume Resistivity	1 x 10 <sup>-14</sup> Ohm.cm (min)	ASTM D257
Dielectric constant	5 (max.)	ASTM D150



Technical Qualification Report: QR 1024

**Installation Instructions:**

