



Dock Pile Cap is Heat Shrink Cap, used to cover the top of the Wooden Dock Pile & to protect it from ingress of water / moisture, thereby increasing Dock Pile life. The caps are manufactured from high quality Cross-linked Polyolefin material.

❖ **The Best & Cost-effective Solution for long term maintenance of Dock Pile :**

- Wood shrinks when losing moisture from the cell walls & swells when gaining moisture in the cell walls. This shrinking & swelling can result in warping, splitting, cracking mainly from top surface; which can cause gaps & loosening of Tool Handles. Dock Piles with Dock Pile Cap eliminates such problems & avoids extra cost of Clamps, used to tighten the gaps; thereby avoiding long term maintenance of Dock Piles.

- Use of Dock Pile Cap typically adds some nominal percentage to the total cost of New Dock Pile replacement. **Precaution is always better than cure.**

❖ **Features:**

- Hot melt adhesive lining provides 100% environmental sealing against weathering, moisture, contamination and adverse environmental conditions according to IP 68.
- Resistance to UV rays & Ozone.
- Versatile and cost effective, as 5 sizes of Dock Pile Cap covers Dock Pile dia. from 140 mm to 460 mm.
- Service life of Dock Pile Cap is more than 30 years.
- Easy installation on concrete, wood, steel or composite poles in minutes.

Technical Specification

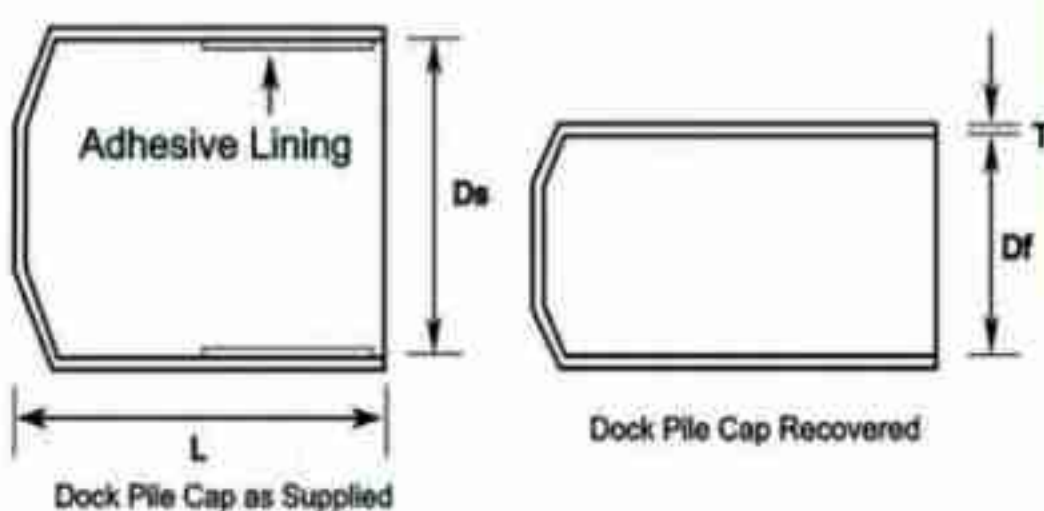
PROPERTIES	VALUE	STANDARD
Tensile Strength	12 N/mm ² (Mpa) (min.)	ASTM D638
Ultimate Elongation	350 % (min)	ASTM D638
Water absorption	0.2 % (max.)	ASTM D570
Accelerated ageing	(120°C for 500 hrs)	ASTM D2671
Tensile Strength	11 N/mm ² (Mpa) (min.)	ASTM D638
Ultimate Elongation	300 % (min.)	ASTM D638
Heat Shock (250°C for 30 min.)	No cracking or flowing	ESI 09-11
Continuous Temperature Limit	-40 to +100°C	IEC 216
Dielectric Strength	12 KV/mm.(min)	ASTM D149
Volume Resistivity	1 x 10 ¹⁴ Ohm.cm (min)	ASTM D257
Dielectric constant	5 (max.)	ASTM D150

Selection Chart

Code No.	Ds (Min.)	Df (Max.)	Ls (Min.)	Tf (±10%)	Pole Range
GPC 801S	190	125	220	4.0	140 - 165
GPC 801	230	125	220	4.0	140 - 200
GPC 901	310	120	220	7.0	140 - 280
GPC 1001	400	204	220	6.0	230 - 360
GPC 1101	500	200	220	6.0	230 - 460

All dimensions are in mm

D: Internal Diameter; s: as supplied; f: after free recovery



❖ Benefits:

- Once the heat applied, adhesive filled inside the top surface (optional) melts & penetrates into the Dock Pile cracks and cavities, thereby reinforces the top of the Dock Pile.
- Provides excellent Impact resistance, i.e. when a Dock Pile end covered with Dock Pile Cap hits on a sharp edge, it would not crack.
- Prevents birds from perching (woodpecker damage) or nesting on top of round tubular & solid Dock Piles.
- Protects the top of the Dock Pile from damage caused by freeze and thaw conditions.
- No maintenance after installation
- Can also be used on marine pylons to protect piling from internal.

INSTALLATION INSTRUCTIONS

Dock Pile Cap supplied by us are in an expanded form. When heated above 125°C they attempt to shrink back to their original dimensions, conforming to the objects they cover. Use a propane (preferred) or butane gas torch. Adjust the torch to obtain a soft blue flame with a yellow tip. Pencil-like blue flames should be avoided. Keep the flame moving continuously to avoid scorching the material.

Dock Pile Preparation:

If necessary, cut the Dock Pile end so that it is straight and even. Clean and de-grease the Dock Pile surface that will come into contact with sealant. (Fig. 1)

Installation of Dock Pile Cap:

Place the Dock Pile Cap over the top of the Dock Pile. (Fig. 2)

Shrink the Dock Pile Cap into place, starting at the closed end and working towards the Dock Pile. Adhesive will be visible at ends. (Fig. 3)

Properly installed Dock Pile Cap will be smooth and conform to Dock Pile. Allow the Cap to cool before applying any mechanical strain. Installation of Dock Pile Cap completed. (Fig. 4)

